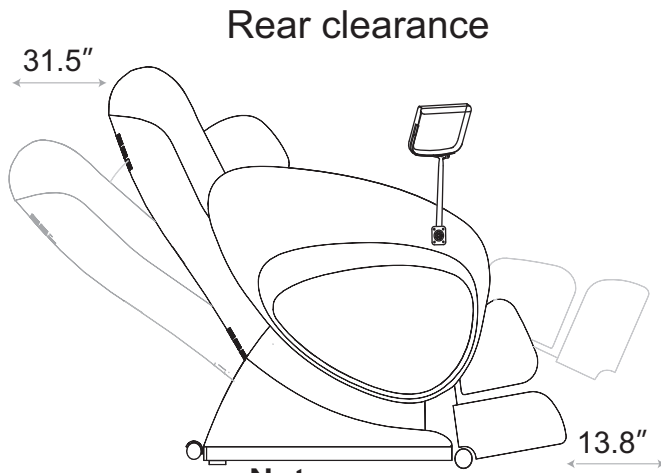


Osaki

OS-4000T

CHAIR INSTALLATION MANUAL





Rear clearance

Accessories

- 2* M6*40mm
- 2* M6 washer
- 2* M6 spring washer

Notes

Allow for at least 31.5" rear clearance behind and the chair and 13.8" in front of the chair when installing.

⚠ Caution

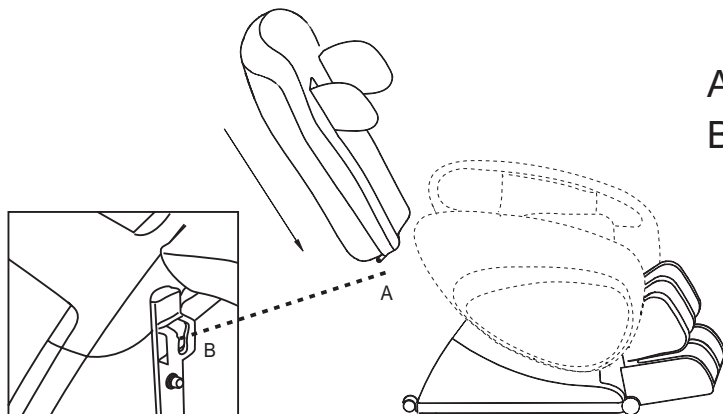
1. Place a carpet under the chair to protect the floor and install on a flat even surface only.
2. Be careful not to damage the floor surfaces when positioning the chair.
3. Do not install the chair in an area of high humidity such as a bathroom or sauna, or where the ambient temperature is 104 °F or higher.
4. Install the chair at least 3 feet away from TVs, radios, and/or other audio or video equipment to prevent signal interference

Installation of the backrest unit

Step 1:

Lift the backrest, then lower the backrest into the seat brackets. Securely lock the flat head bolts into both sides of holder on the seat.

Note: Please do it carefully to avoid scratching during installation.

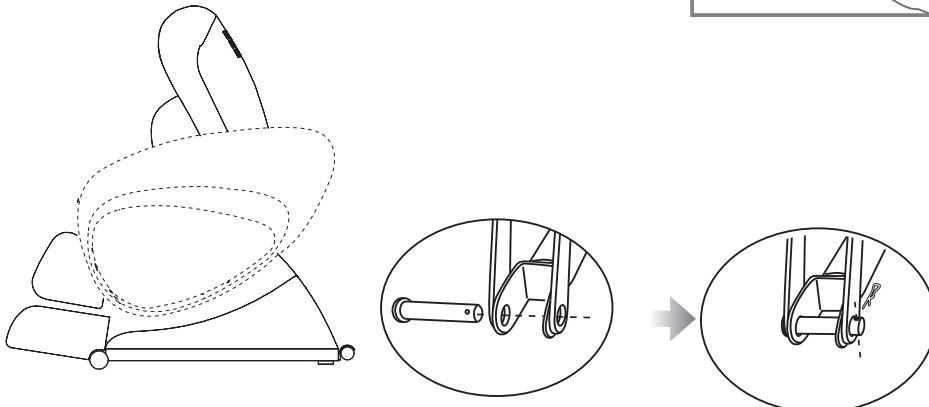
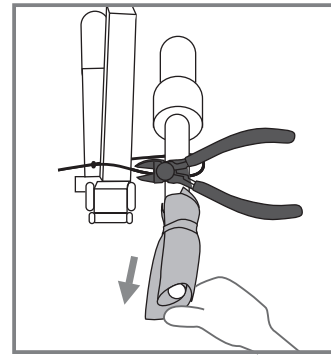


A: Flat Head bolt (on the backrest)

B: Holder (On the seat)

Step 2:

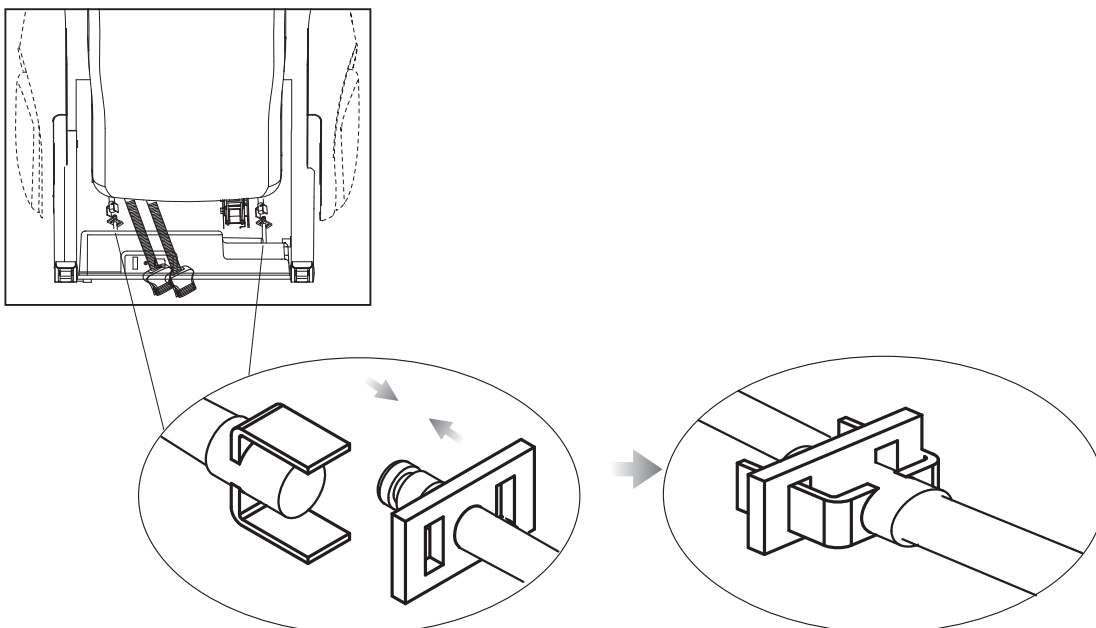
Use the diagonal pliers to cut off the cable tie which binds the stopper of the backrest and take down the packing material of the backrest actuator, where both of them are located underneath the seat pad.



Connect and lock backrest to bottom seat then secure position.

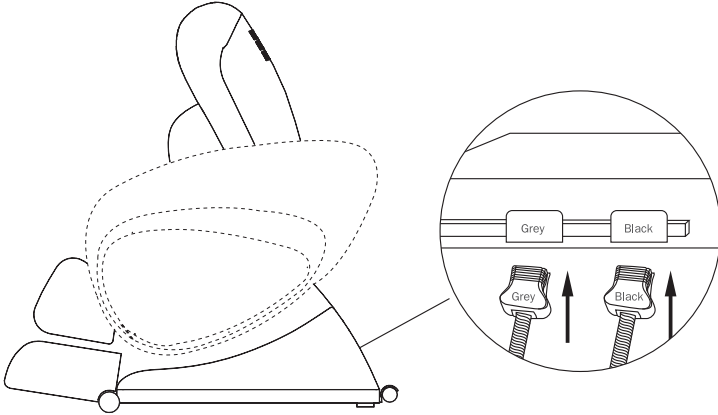
Step 3:

Connect the air hose connectors on the backrest.
(with Red&Yellow circle bands)

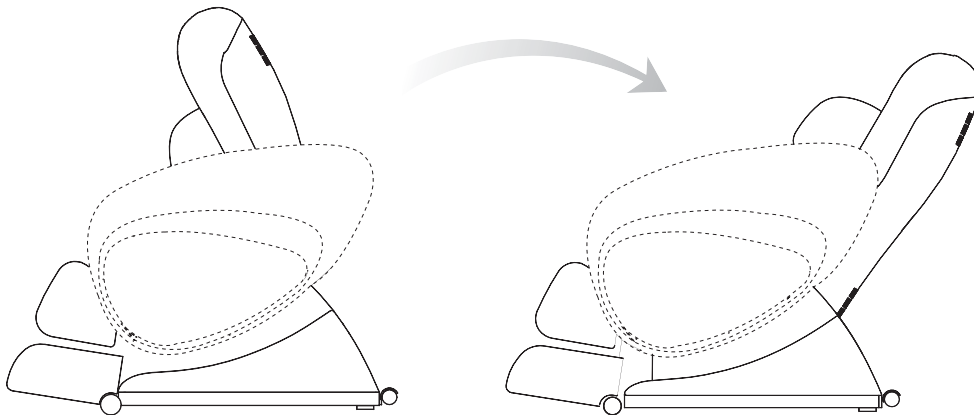


Step 4:

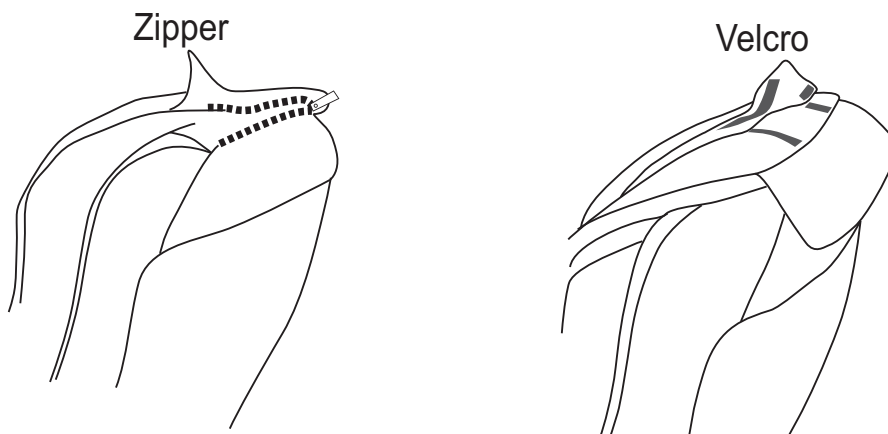
Take down the packing material of the plug, then insert the wire plugs into the corresponding place in the seat according to the marks given, and make sure the wire plugs are fully connected until you hear a “click” sound. Insert **black to black** and **gray to gray**.

**Step 5:**

Unfold the backrest until you hear “click” sound.

**Step 6:**

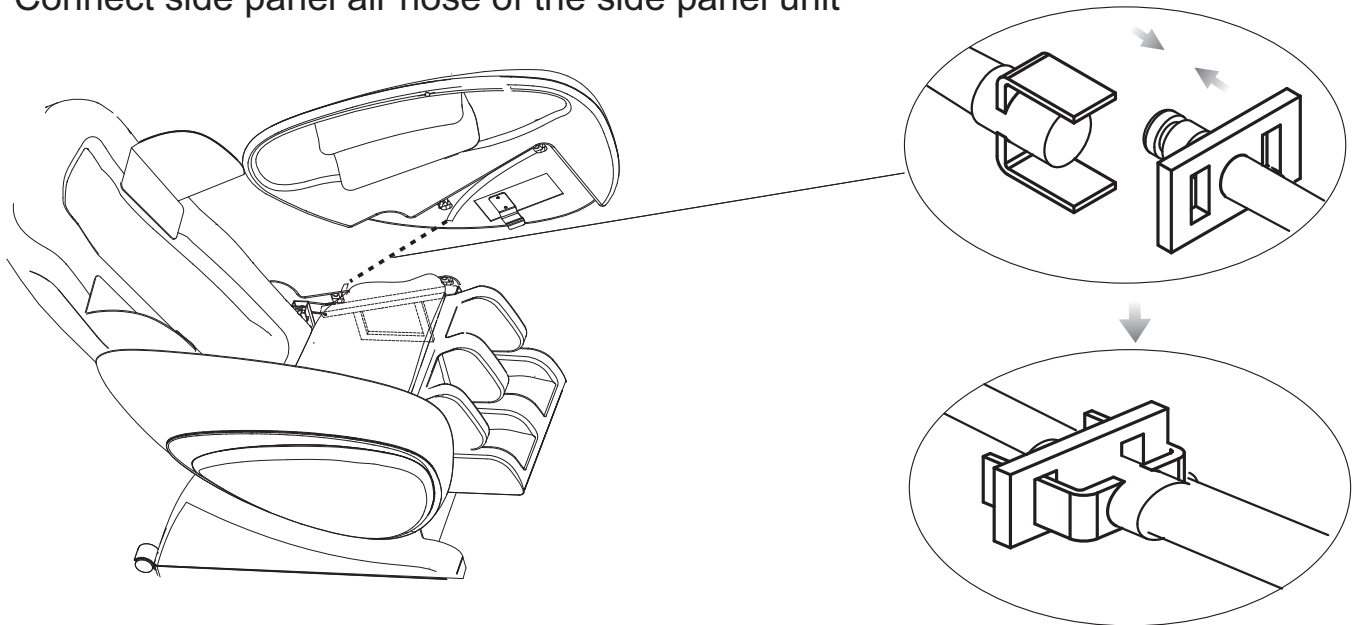
Attach the backrest pad and the pillow



Installation of the side panel unit

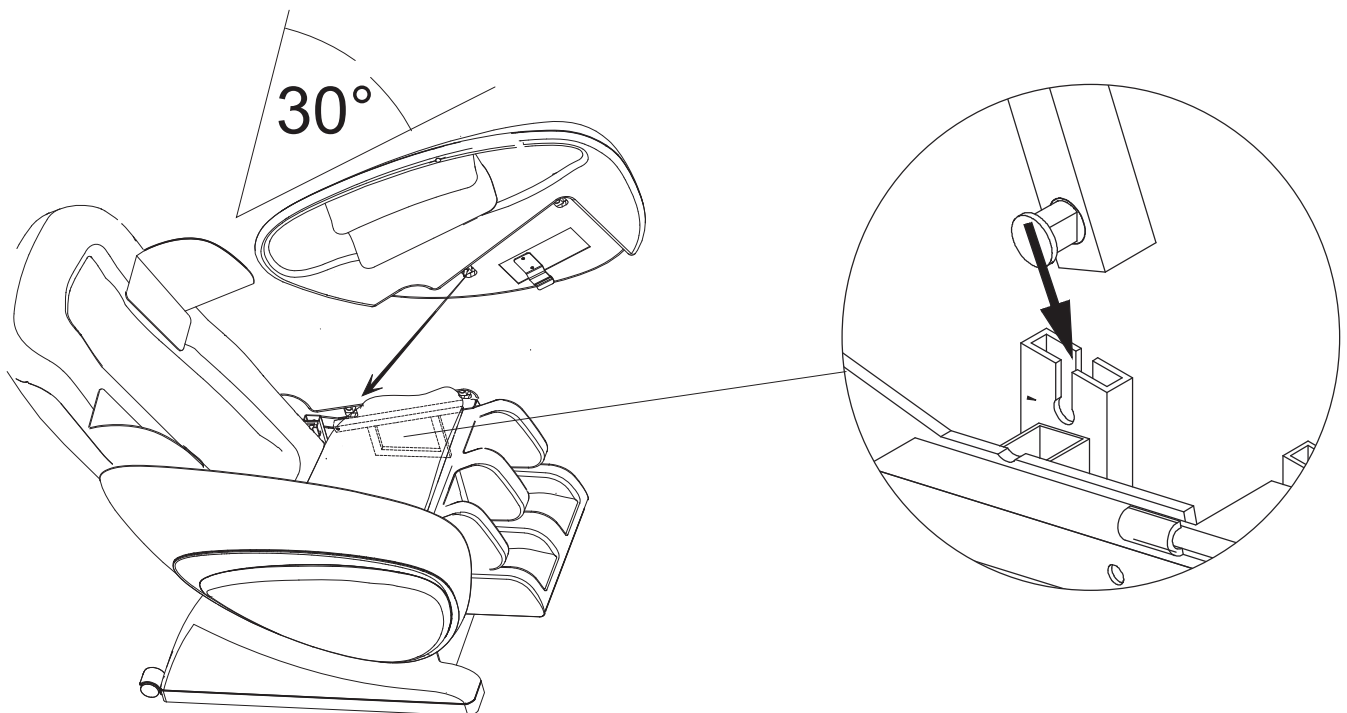
Step 1:

Connect side panel air hose of the side panel unit

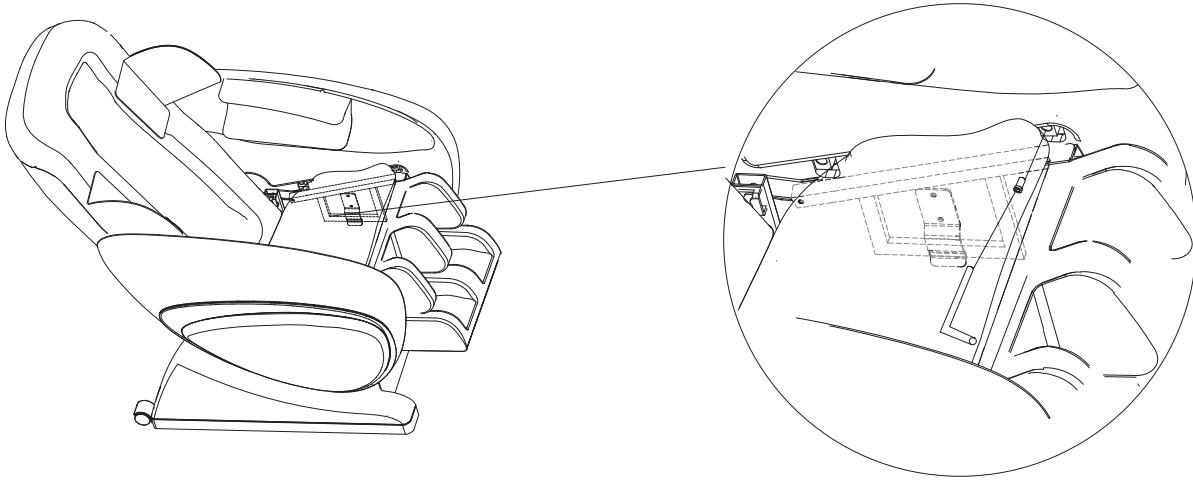


Step 2:

Insert the side panel to the chair at 30 degrees. Securely lock the flat head bolts into the side holder on the seat.

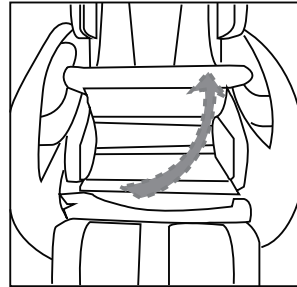
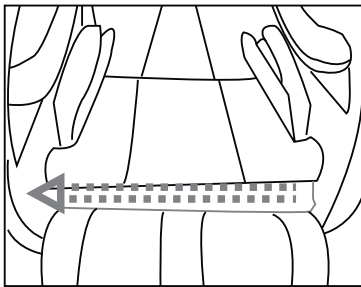


Inserting the fixing lugs in to the cross bar completely

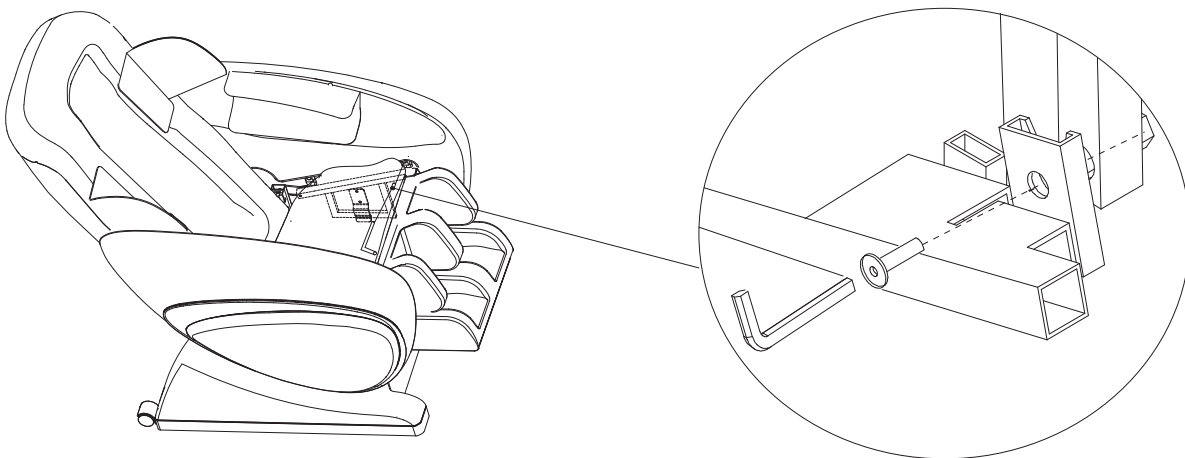


Step 3:

Use the cable tie to unfasten the seat pad from the chair by the zipper, then lift up the seat pad.

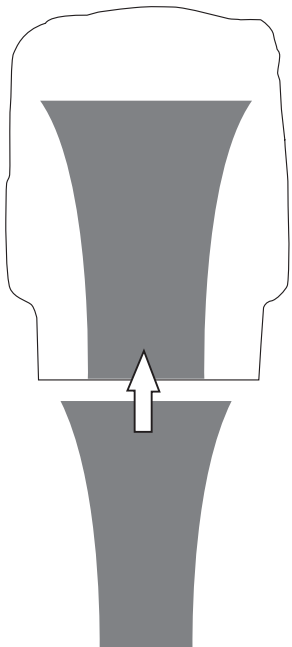
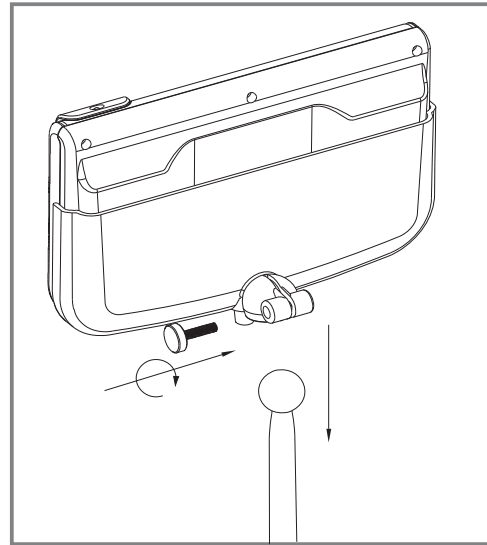


Fasten the socket screw onto the corresponding holder.



Installation of remote controller

Fix the remote controller to the holder by securing the screws.



Note:

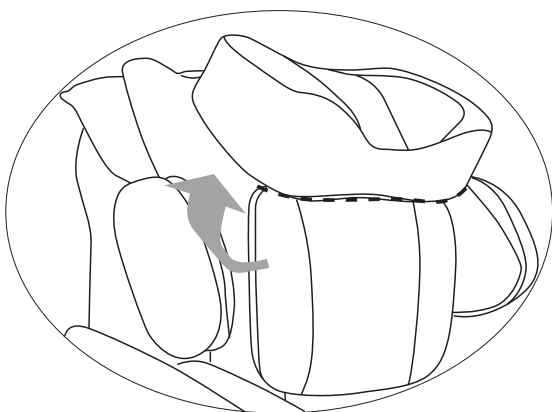
- The back massage strength-control pad has been inserted into the backseat cove

If strong massage is desired, remove the back massage strength-control pad from the cover; this strengthens the massage.

If strong massage is desired, remove the back massage strength-control pad from the cover; this strengthens the massage.

If milder massage are desired , insert the back massage strength-control pad into the cover; this lessens the strength of the massage.

- You could remove the pillow(s) to enjoy deeper massage for the neck.



- Lay on the Anti-slip Pillow to prevent the pillow(s) slipping out while enjoying the air squeezing massage on your neck.

Note: The Anti-Slip Pillow is connected with the massage pillow by a zipper, you could fold it under the massage pillow while you do not intend to use it.

Moving the Chair

1. Restore the footrest and the backrest to their original position.
2. Hold down on the top of the backrest and tilt approximately 45 degrees. Move the chair using the wheels as the fulcrum.

Note:

- Always return the footrest and the backrest to their original position before moving the chair. Otherwise, injury movement may result.
- Do not move the chair while a person is seated on it.
- Place a mat on the floor and gently roll the chair over it to avoid damaging the floor.

